

# Genius 300

Manual Swing  
Door

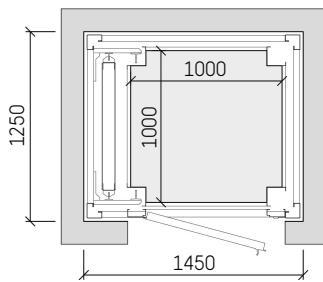
JPS

Lifts

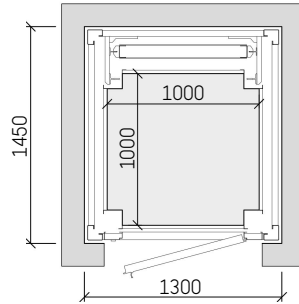
DESIGN  
INSTALLATION  
SERVICE  
MODERNISATION



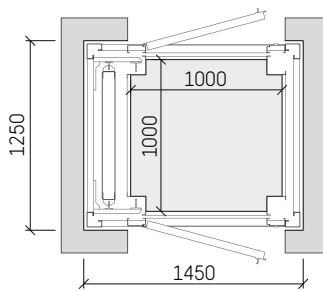
I CHOOSE SA  
#ichoosesa



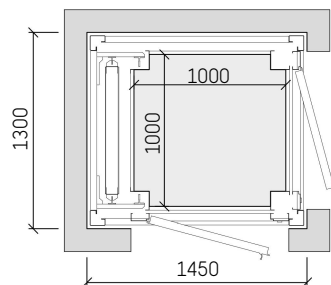
SINGLE ENTRANCE



SINGLE ENTRANCE / RCW

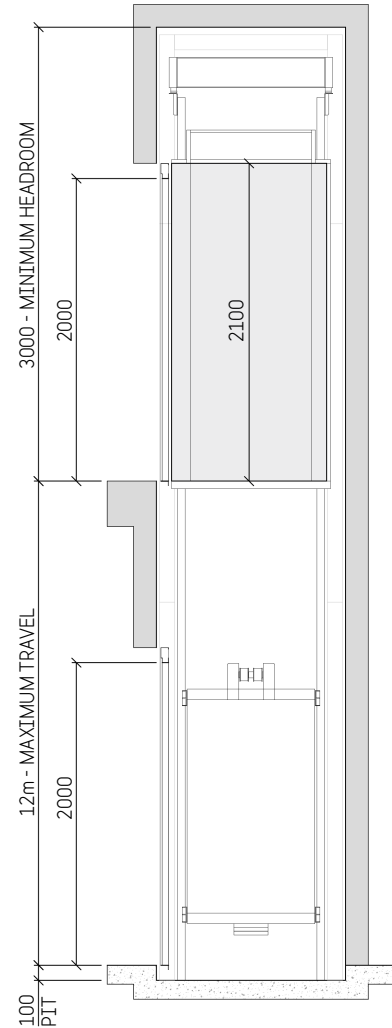


THROUGH ENTRANCE



ADJACENT ENTRANCE

1. Door swing may be left or right hand hinged and different on each level.
2. Reduced shaft dimensions can be achieved using structural shaft, contact JPS Lifts for planning information.



TYPICAL ELEVATION

## General specifications

Load	300 kg
Capacity	4 persons
Speed	0.3 m/s (maximum allowable for residential)
Maximum travel	12 m
Entrances	Single entrance / <i>Through entrance</i> / <i>Adjacent entrance</i>
Drive system	Machine-room-less gearless (MRL)
Door types	Manual Swing Door ( <i>aesthetic options available</i> )
Clear door width	800 mm
Clear door height	2,000 mm
Car dimensions internal	1,000 mm x 1,000 mm
Car height internal	2,100mm

Standard *Optional*

### 1 MRL - DRIVE

Compact machine-room-less with optimised headroom and pit. Compact, quiet, gearless (48V VVVF) motor.

### 2 STRUCTURE

Installed in factory designed & engineered steel skeletal structure to take all loads to ground or on-site built structural shaft by your builder.

### 3 POWER FAILURE RESCUE

Supplied with uninterrupted power supply (UPS) for power failure rescue.

### 4 24/7 SERVICE

Fully qualified and trained service technicians available 24/7, 365 days for your peace of mind.

UPDATED MAR 2021

# Genius 300

Auto-Sliding  
Door

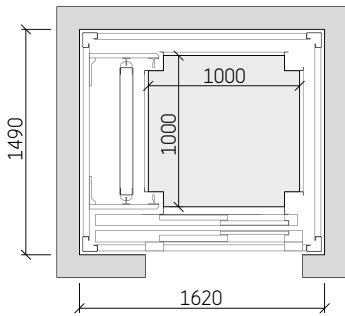
JPS

Lifts

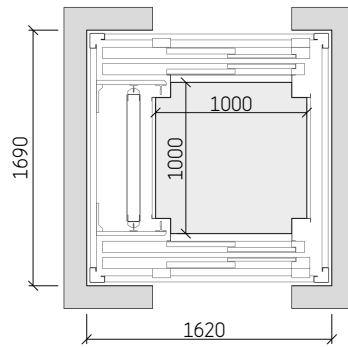
DESIGN  
INSTALLATION  
SERVICE  
MODERNISATION



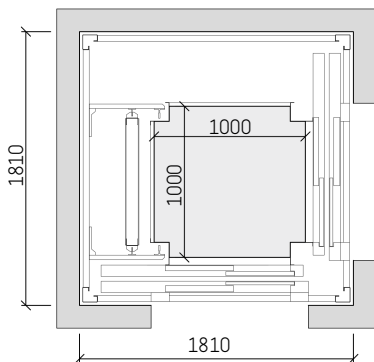
I CHOOSE SA  
#ichoosesa



SINGLE ENTRANCE

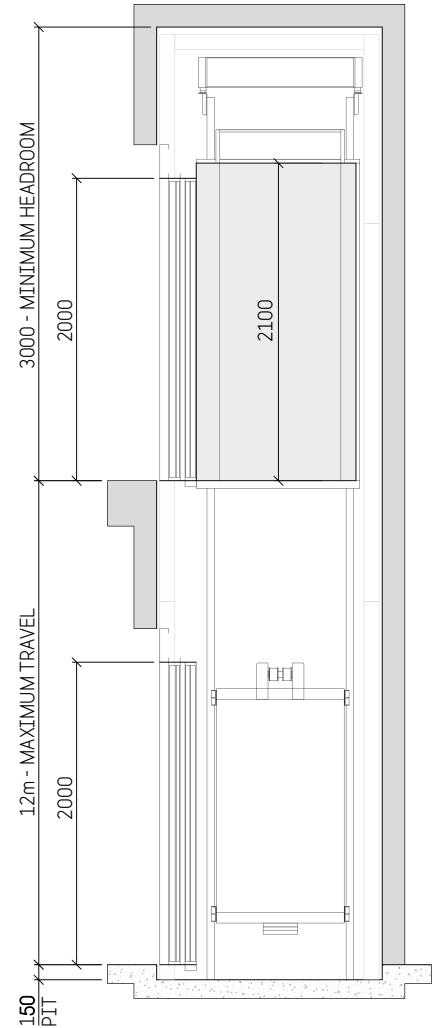


THROUGH ENTRANCE



ADJACET ENTRANCE

1. Reduced shaft dimensions can be achieved using structural shaft, contact JPS Lifts for planning information.



TYPICAL ELEVATION

## General specifications

Load	300 kg
Capacity	4 persons
Speed	0.3 m/s (maximum allowable for residential)
Maximum travel	12 m
Entrances	Single entrance / <b>Through entrance</b> / <b>Adjacent entrance</b>
Drive system	Machine-room-less gearless (MRL)
Door types	Automatic sliding two panel ( <b>aesthetic options available</b> )
Clear door width	800 mm
Clear door height	2,000 mm
Car dimensions internal	1,000 mm x 1,000 mm
Car height internal	2,100mm

Standard **Optional**

### 1 MRL - DRIVE

Compact machine-room-less with optimised headroom and pit. Compact, quiet, gearless (48V VVVF) motor.

### 2 STRUCTURE

Installed in factory designed & engineered steel skeletal structure to take all loads to ground or on-site built structural shaft by your builder.

### 3 POWER FAILURE RESCUE

Supplied with uninterrupted power supply (UPS) for power failure rescue.

### 4 24/7 SERVICE

Fully qualified and trained service technicians available 24/7, 365 days for your peace of mind.

UPDATED MAR 2021