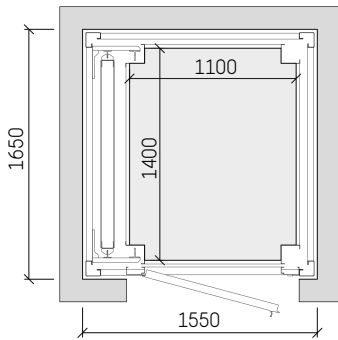


Genius 450

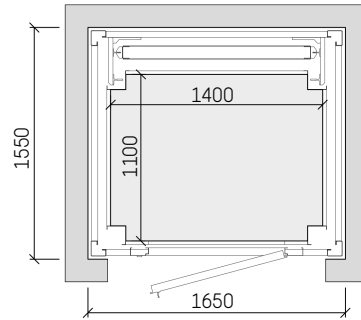
Manual Swing
Door



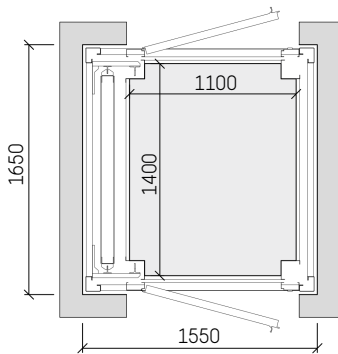
I CHOOSE SA
#ichoosesa



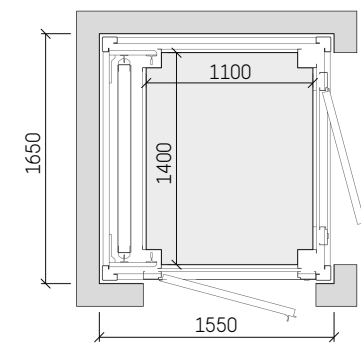
SINGLE ENTRANCE



SINGLE ENTRANCE / RCW

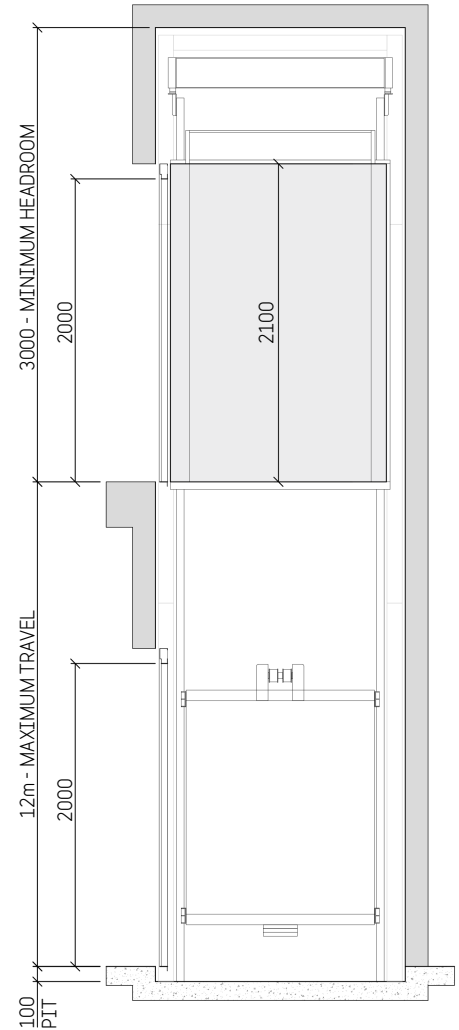


THROUGH ENTRANCE



ADJACENT ENTRANCE

1. Door swing may be left or right hand hinged and different on each level.
2. Reduced shaft dimensions can be achieved using structural shaft, contact JPS Lifts for planning information.



TYPICAL ELEVATION

General specifications

| | |
|-------------------------|--|
| Load | 450 kg |
| Capacity | 6 persons |
| Speed | 0.3 m/s (maximum allowable for residential) |
| Maximum travel | 12 m |
| Entrances | Single entrance / <i>Through entrance</i> / <i>Adjacent entrance</i> |
| Drive system | Machine-room-less gearless (MRL) |
| Door types | Manual Swing Door (<i>aesthetic options available</i>) |
| Clear door width | 900 mm |
| Clear door height | 2,000 mm |
| Car dimensions internal | 1,100 mm x 1,400 mm |
| Car height internal | 2,100mm |

Standard *Optional*

1 MRL - DRIVE

Compact machine-room-less with optimised headroom and pit.
Compact, quiet, gearless (48V VVVF) motor.

2 STRUCTURE

Installed in factory designed & engineered steel skeletal structure to take all loads to ground or on-site built structural shaft by your builder.

3 POWER FAILURE RESCUE

Supplied with uninterrupted power supply (UPS) for power failure rescue.

4 24/7 SERVICE

Fully qualified and trained service technicians available 24/7, 365 days for your peace of mind.

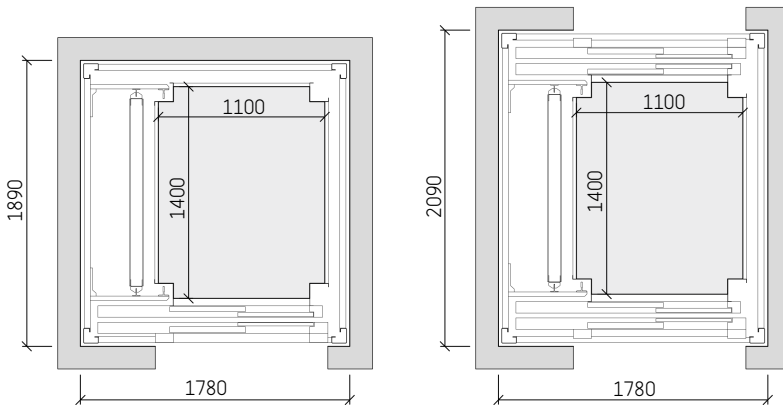
UPDATED MAR 2021

Genius 450

Auto-Sliding
Door

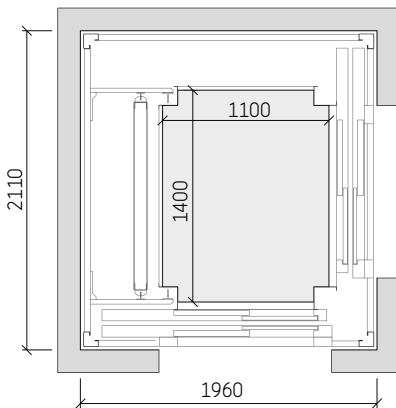


I CHOOSE SA
#ichoosesa



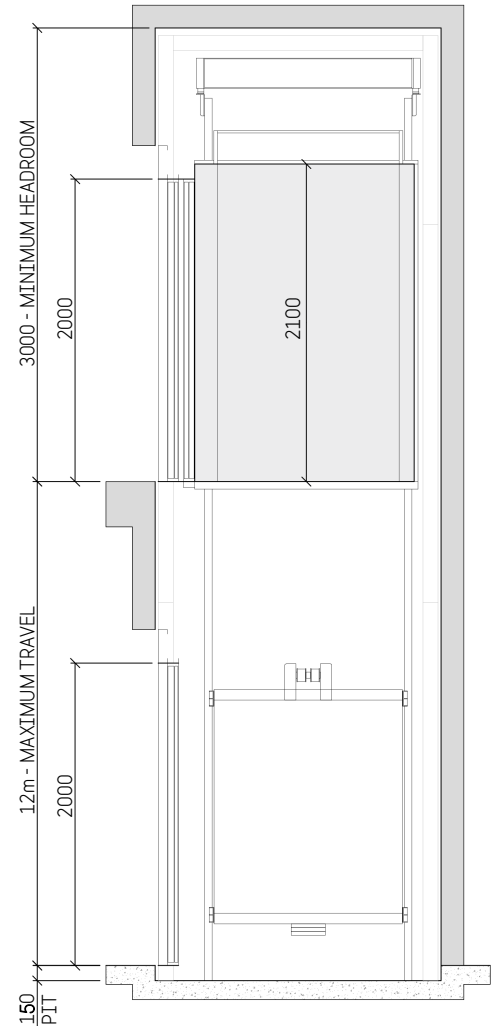
SINGLE ENTRANCE

THROUGH ENTRANCE



ADJACENT ENTRANCE

1. Reduced shaft dimensions can be achieved using structural shaft, contact JPS Lifts for planning information.



TYPICAL ELEVATION

General specifications

| | |
|-------------------------|--|
| Load | 450 kg |
| Capacity | 6 persons |
| Speed | 0.3 m/s (maximum allowable for residential) |
| Maximum travel | 12 m |
| Entrances | Single entrance / Through entrance / Adjacent entrance |
| Drive system | Machine-room-less gearless (MRL) |
| Door types | Automatic sliding two panel (aesthetic options available) |
| Clear door width | 900 mm |
| Clear door height | 2,000 mm |
| Car dimensions internal | 1,100 mm x 1,400 mm |
| Car height internal | 2,100mm |

Standard [Optional](#)

1 MRL - DRIVE

Compact machine-room-less with optimised headroom and pit. Compact, quiet, gearless (48V VVVF) motor.

2 STRUCTURE

Installed in factory designed & engineered steel skeletal structure to take all loads to ground or on-site built structural shaft by your builder.

3 POWER FAILURE RESCUE

Supplied with uninterrupted power supply (UPS) for power failure rescue.

4 24/7 SERVICE

Fully qualified and trained service technicians available 24/7, 365 days for your peace of mind.

UPDATED MAR 2021