

# RESIDENTIAL

# JPS Lifts



**JPS Lifts are South Australia's largest privately owned and operated lift company, with over 20 years' servicing the industry and a reputation as the leaders in bespoke lift design and installation.** We work closely with Adelaide's major builders, designers, architects and developers to customise the perfect solution to their business or residential customers' requirements, large or small. With uncompromising European build quality, designed and built to Australian specifications, our lift products are second to none.

Models	Genius 300	Genius 450
Capacity	300kg   4 Persons	450kg   6 Persons
Car Dimensions	1000 x 1000mm	1100 x 1400mm
Pit Depth	100mm	100mm
Headroom	3000mm	3000mm
Speed	0.30m/s	0.30m/s
Maximum Travel	12.0m (up to 4 levels)	12.0m (up to 4 levels)
Installation Method	Factory engineered and manufactured, self supporting steel skeletal structure to take all loads or on-site built masonry shaft by your builder.	Factory engineered and manufactured, self supporting steel skeletal structure to take all loads or on-site built masonry shaft by your builder.
Doors	Manual swing or automatic sliding doors and infra-red car entrance protection.	Manual swing or automatic sliding doors and infra-red car entrance protection.
Controls	Illuminated braille call buttons, alarm button, stop button, light switch and telephone handset.	Illuminated braille call buttons, alarm button, stop button, light switch and telephone handset.
Configuration Options	Single entrance, through entrance and adjacent entrance.	Single entrance, through entrance and adjacent entrance.

## Key Advantages

- Suitable for new and existing homes
- No crane or removal of roof required for installation
- Ultra energy efficient, low power AC motor
- VVVF drive for super smooth and quiet operation
- UPS battery operation with complete functionality in the event of a power outage
- Non hydraulic, oil-free drive system
- 100mm pit depth
- 240 volt single phase power
- No machine room, no large cabinet to hide
- Wide range of high quality finishes including steel skin-plate, laminate, stainless steel or glass
- Multiple door and entry configurations
- Italian designed, engineered and manufactured to Australian standards

## FAQs

### Q. Where are your lifts manufactured?

A. The Genius lift is designed and manufactured in Milan, Italy.

### Q. Who does your installation and service work?

A. JPS employs a comprehensive, professional team of installation mechanics and service technicians.

### Q. Do I need any engineered structural walls to support the lift?

A. No, JPS use an engineered steel skeletal structure to support all the lift equipment within the shaft space.

### Q. So the Genius is not a hydraulic lift, what does this mean?

A. The Genius 300 and 450 design is based on the concept of everyday office lifts, using an electric motor, belts and a counterweight. This makes the Genius lift energy efficient, easy to install and gives it a very long life, due to the traditional, yet modern design.

### Q. When do you normally install the lift?

A. There is no need to leave the roof off to install the lift with a crane, we install each pre-fabricated section, piece by piece. The best time is once the house has reached lock up stage and has safe stair access to all floors.

# Genius 300

Manual Swing  
Door

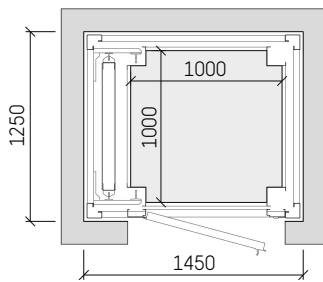
JPS

Lifts

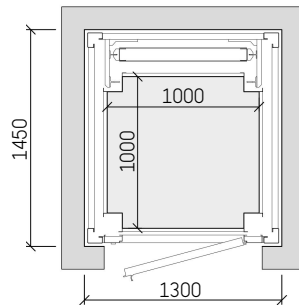
DESIGN  
INSTALLATION  
SERVICE  
MODERNISATION



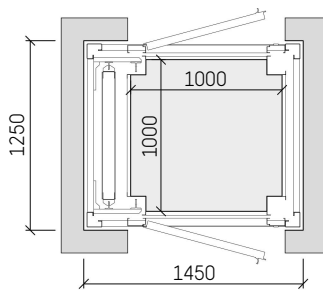
I CHOOSE SA  
#ichoosesa



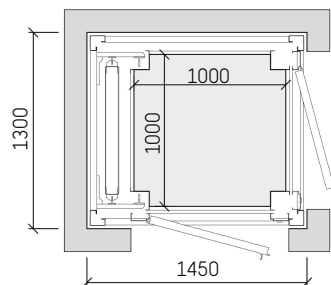
SINGLE ENTRANCE



SINGLE ENTRANCE / RCW

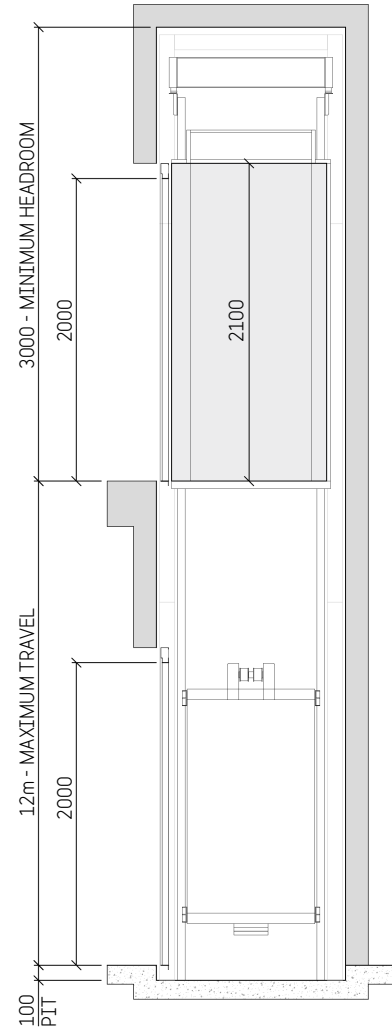


THROUGH ENTRANCE



ADJACENT ENTRANCE

1. Door swing may be left or right hand hinged and different on each level.
2. Reduced shaft dimensions can be achieved using structural shaft, contact JPS Lifts for planning information.



TYPICAL ELEVATION

## General specifications

Load	300 kg
Capacity	4 persons
Speed	0.3 m/s (maximum allowable for residential)
Maximum travel	12 m
Entrances	Single entrance / <i>Through entrance</i> / <i>Adjacent entrance</i>
Drive system	Machine-room-less gearless (MRL)
Door types	Manual Swing Door ( <i>aesthetic options available</i> )
Clear door width	800 mm
Clear door height	2,000 mm
Car dimensions internal	1,000 mm x 1,000 mm
Car height internal	2,100mm

Standard *Optional*

### 1 MRL - DRIVE

Compact machine-room-less with optimised headroom and pit. Compact, quiet, gearless (48V VVVF) motor.

### 2 STRUCTURE

Installed in factory designed & engineered steel skeletal structure to take all loads to ground or on-site built structural shaft by your builder.

### 3 POWER FAILURE RESCUE

Supplied with uninterrupted power supply (UPS) for power failure rescue.

### 4 24/7 SERVICE

Fully qualified and trained service technicians available 24/7, 365 days for your peace of mind.

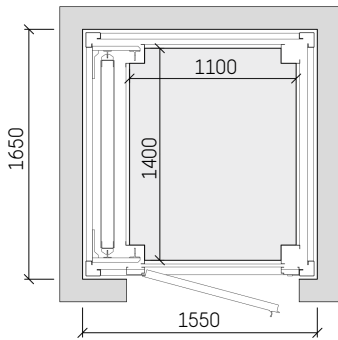
UPDATED MAR 2021

# Genius 450

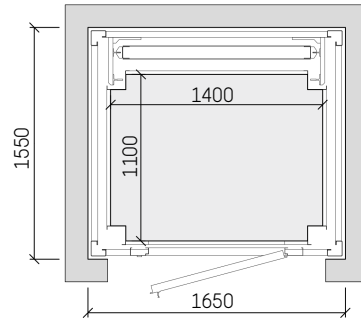
Manual Swing  
Door



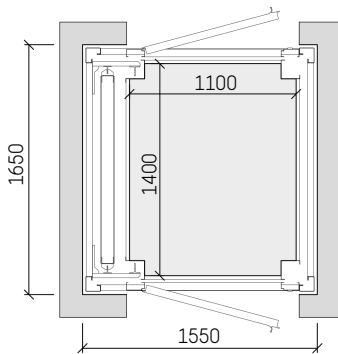
I CHOOSE SA  
#ichoosesa



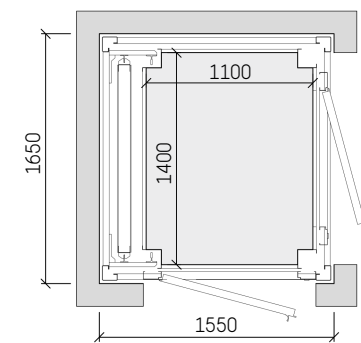
SINGLE ENTRANCE



SINGLE ENTRANCE / RCW

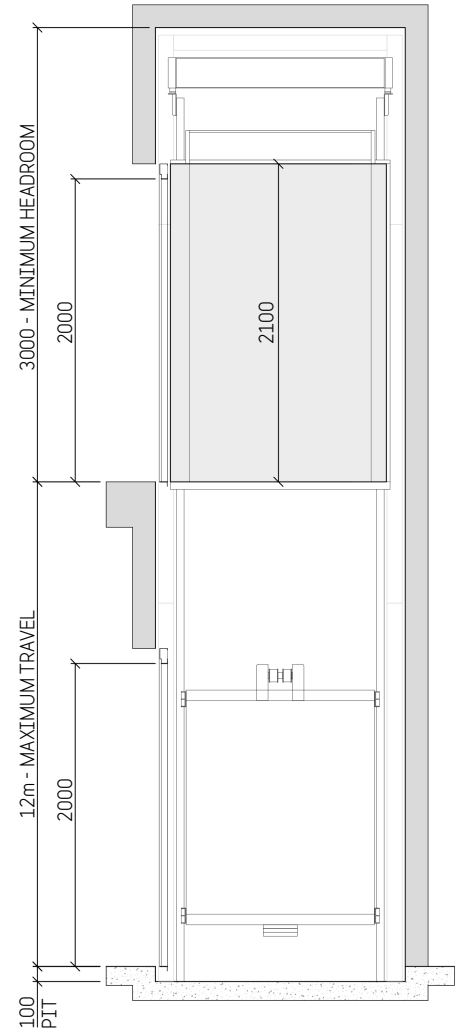


THROUGH ENTRANCE



ADJACENT ENTRANCE

1. Door swing may be left or right hand hinged and different on each level.
2. Reduced shaft dimensions can be achieved using structural shaft, contact JPS Lifts for planning information.



TYPICAL ELEVATION

## General specifications

Load	450 kg
Capacity	6 persons
Speed	0.3 m/s (maximum allowable for residential)
Maximum travel	12 m
Entrances	Single entrance / <i>Through entrance</i> / <i>Adjacent entrance</i>
Drive system	Machine-room-less gearless (MRL)
Door types	Manual Swing Door ( <i>aesthetic options available</i> )
Clear door width	900 mm
Clear door height	2,000 mm
Car dimensions internal	1,100 mm x 1,400 mm
Car height internal	2,100mm

Standard *Optional*

### 1 MRL - DRIVE

Compact machine-room-less with optimised headroom and pit.  
Compact, quiet, gearless (48V VVVF) motor.

### 2 STRUCTURE

Installed in factory designed & engineered steel skeletal structure to take all loads to ground or on-site built structural shaft by your builder.

### 3 POWER FAILURE RESCUE

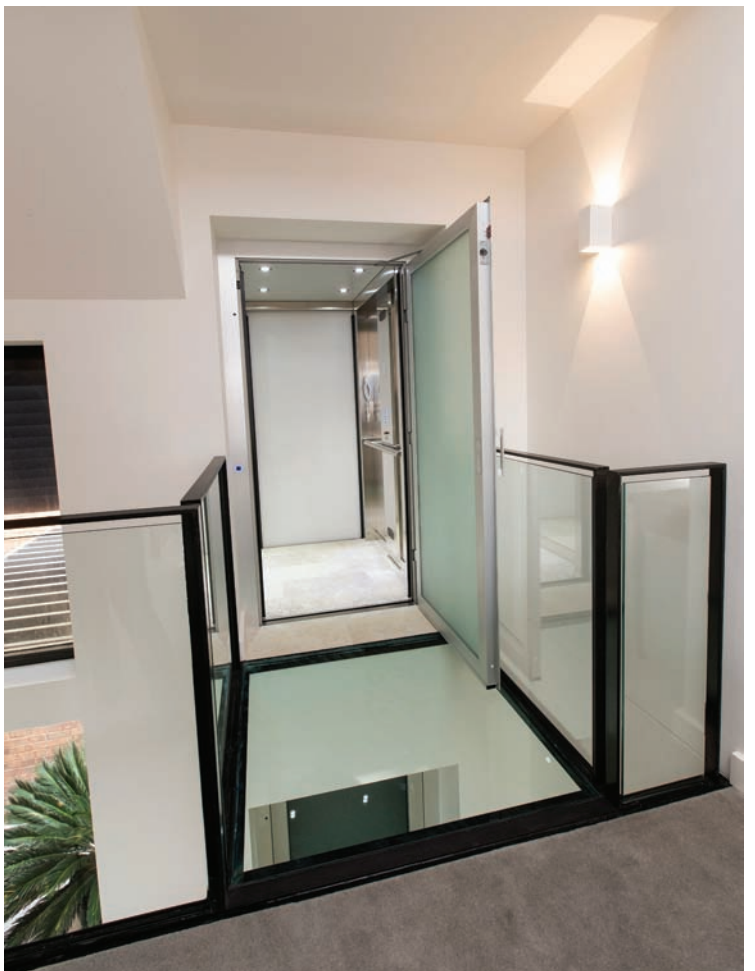
Supplied with uninterrupted power supply (UPS) for power failure rescue.

### 4 24/7 SERVICE

Fully qualified and trained service technicians available 24/7, 365 days for your peace of mind.

UPDATED MAR 2021





10 Henry Street  
Stepney SA 5069  
Phone 8363 2220

**24 | 7 Service 8363 2700**

lifts@jpslifts.com

**[www.jpslifts.com](http://www.jpslifts.com)**

**DESIGN  
INSTALLATION  
SERVICE  
MODERNISATION**